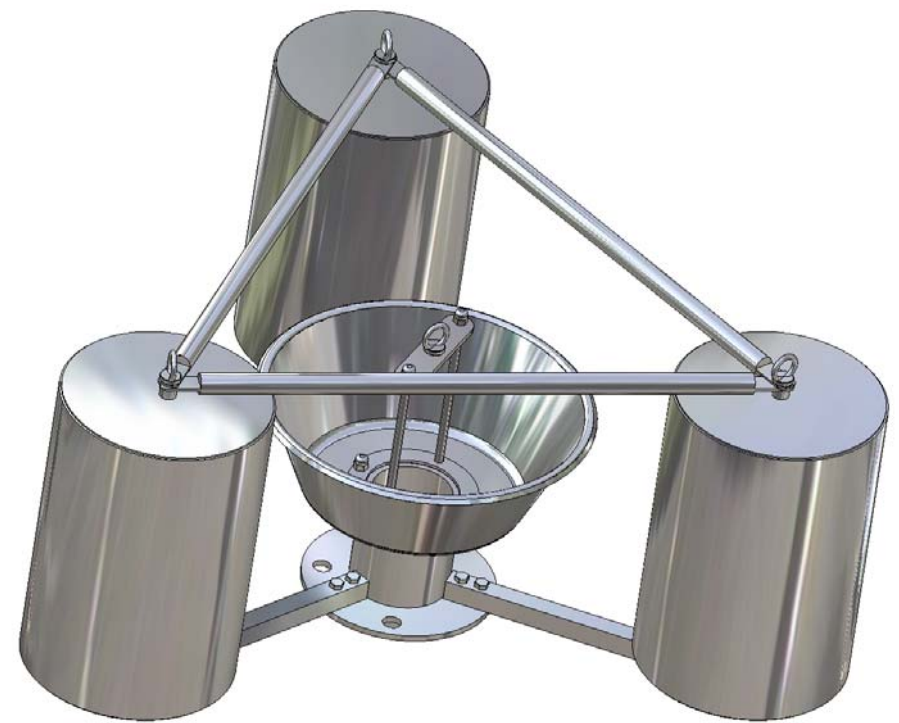
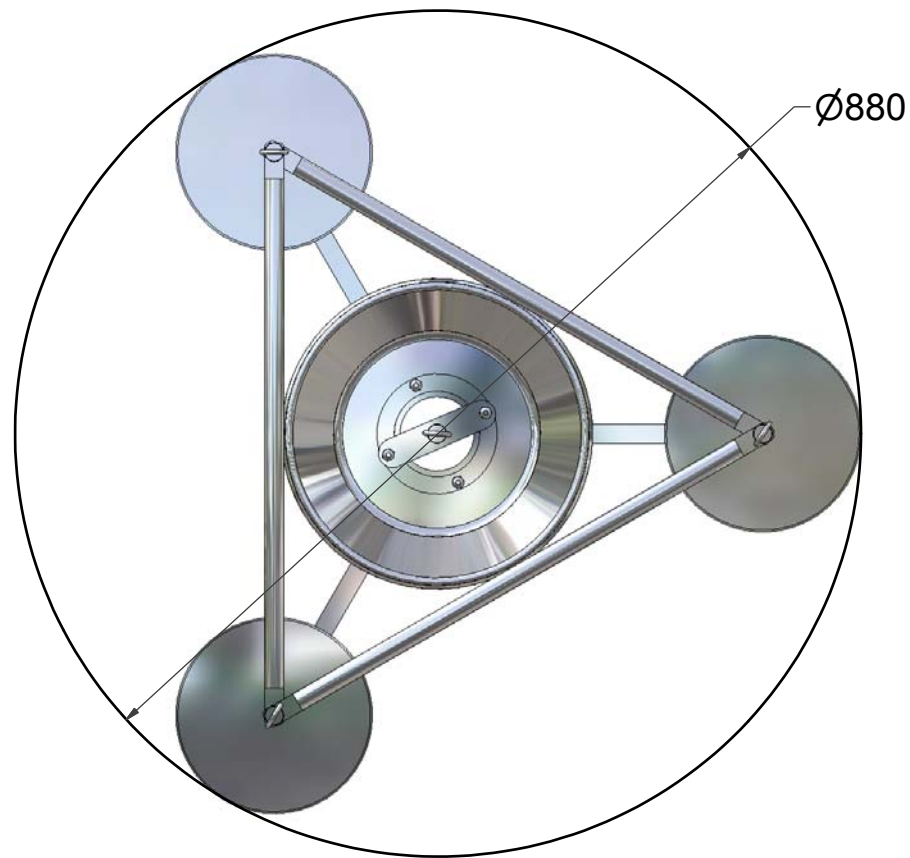


All dimensions in millimetres
 Material - Stainless Steel
 Weight - 15 kg
 *Hose connection - 1.5", 2" & 3"



Designed by EMS	Checked by	Approved by - date	Date 01/03/2011
Oil Spill Products Ltd		Oil Skimmer	
		Data Sheet	Edition Sheet 1 / 1